

VEGA

VG1.



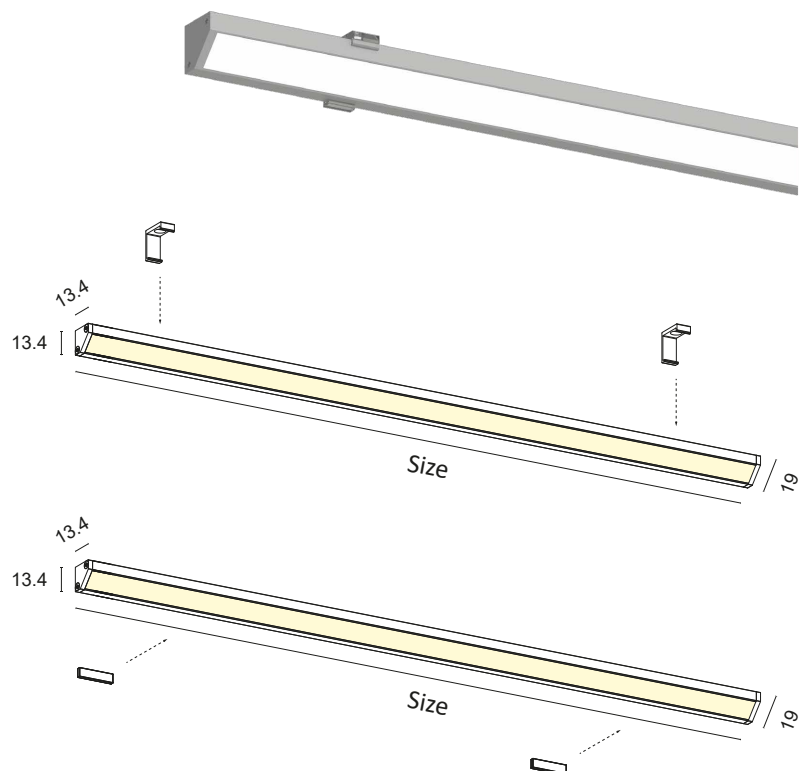
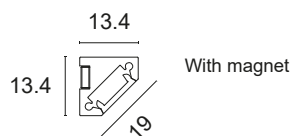
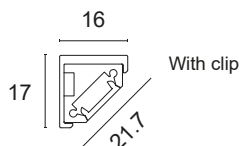
Decorated anodised aluminium lamp complete with press-fit brushed diffuser , side supports and LED source with a high Lumen/Watt ratio. 45° light emission, possibility of integrating an on/off Touch system into the edge. Suitable for under-wall cupboard, furnishing lighting, panel and general lighting. Mounting with screw clips or magnets.

Constant 24Vdc voltage supply
Parallel connection, 50 cm cable

Constant voltage power supplies page 237

Dimming Accessories page 249

 **MADE IN ITALY**



BASIC CODES

VG1.

FINISHES

- 1** White
 - 2** Matt black
 - 7** Brushed aluminium
- *Other finishes on request.

SIDE SUPPORTS

- 1** White
- 2** Matt black
- 7** Brushed aluminium

SIDE SUPPORTS + TOUCH

- 1T** White
- 2T** Matt black
- 7T** Brushed aluminium

SIZE

- A** 300mm
- B** 450mm
- C** 500mm
- D** 600mm
- E** 700mm
- F** 800mm
- G** 900mm
- H** 1000mm
- I** 1200mm
- J** 1300mm
- K** 1400mm
- L** 1500mm
- M** 1800mm
- N** 2000mm
- O** 2300mm
- P** 2500mm
- Q** 2800mm
- R** 3000mm

LED COLOUR

- BN** 4000K
 - BC** 3000K
 - CC** 2700K
- *Strip also available coloured, Dynamic White, RGB.

POWER

- | | | | | | |
|------------|---------|----------|----------------|--------|--|
| D | 10W/m | 1400Lm/m | 98LED/m S2835 | CRI>85 | |
| D+ | 10W/m | 1600Lm/m | 112LED/m S2835 | CRI>90 | |
| E | 16.8W/m | 2000Lm/m | 140LED/m S2835 | CRI>85 | |
| E+ | 16.8W/m | 2000Lm/m | 140LED/m S2835 | CRI>90 | |
| F | 20.2W/m | 2500Lm/m | 168LED/m S2835 | CRI>85 | |
| F+ | 20.2W/m | 2500Lm/m | 168LED/m S2835 | CRI>90 | |
| P+ | 14.4W/m | 1100Lm/m | 180LED/m S2216 | CRI>90 | |
| C2+ | 15W/m | 1550Lm/m | COB LED | CRI>90 | |

*Energy class referring to light source

DIFFUSER

- S** BRUSHED

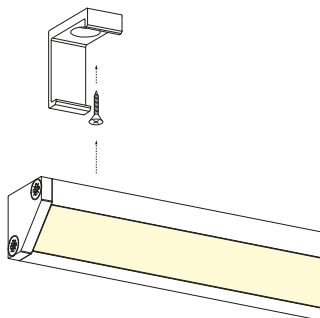
Code example:

VEGA + White + Side supports white + 1000mm + 3000K + 10W/m CRI>85 + Brushed diffuser = Code: VG1.11HBCDS

ACCESSORIES TO BE ORDERED SEPARATELY

BASIC CODES

SVG2.8

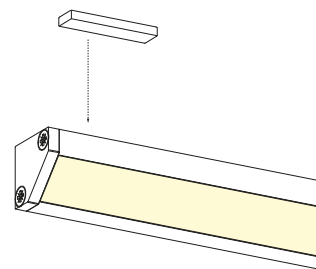


Transparent polycarbonate clip with 12xM2.5 screws for surface mounting on a variety of surfaces. adhered to the surface. 12xM2.5 screws included.

NB. We recommend No. 1 Clip per 500mm

BASIC CODES

NDL40XP5X2



Magnets to glue on for fixing on smooth metal surfaces.

NB. We recommend No. 1 magnet every 150mm (Max. attraction force 1.60kg).